



Additel 9231

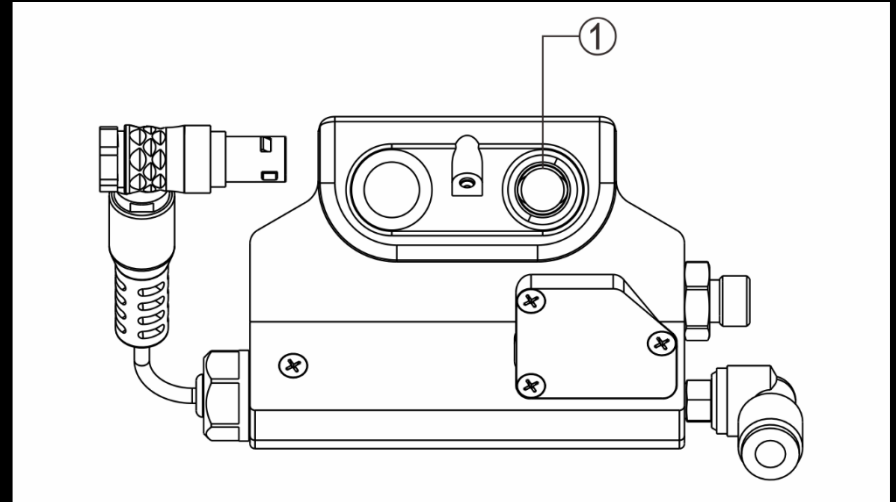
CPS Installation Manual

[version: 2606V01]

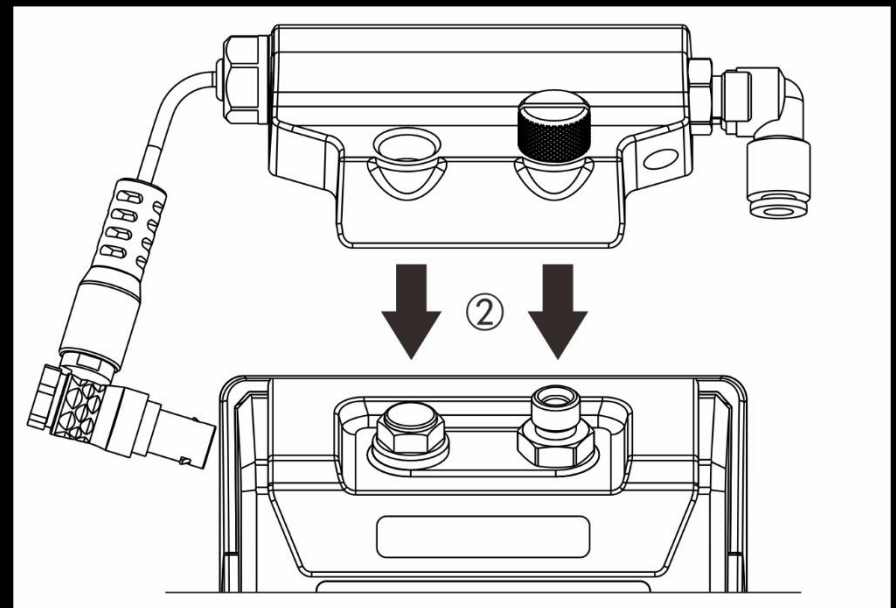


Installation Instructions

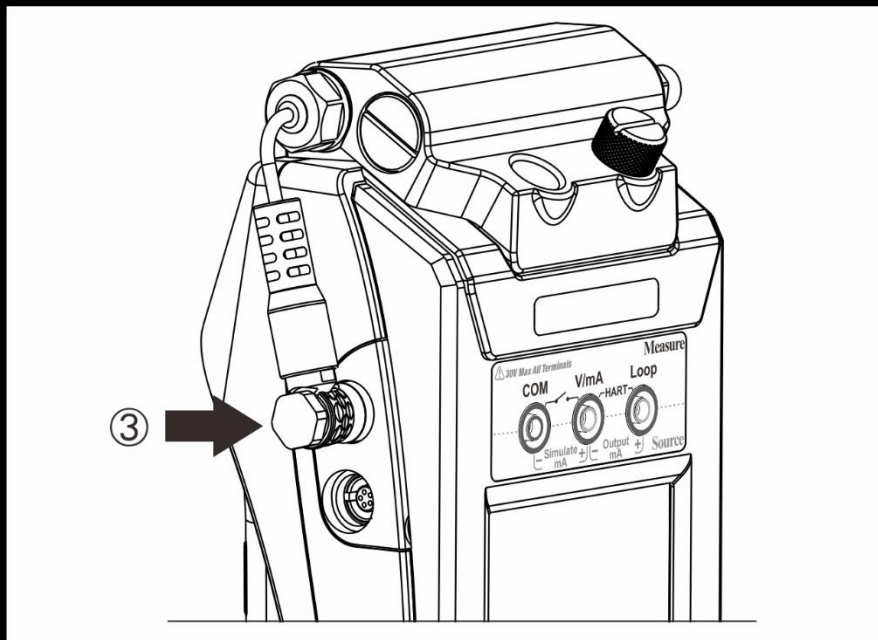
① Upon receipt of the CPS, please verify that the O-ring shown in the figure below is properly installed and has not become displaced or lost during shipment. If the O-ring is missing, please locate it within the packaging and reinstall it before use.



② Install the CPS with O-ring onto the ADT760A main unit, and secure it with the lock nut.



- ③ Plug the Lemo plug into the CPS port of the ADT760A.



- ④ After completing the installation, power on the ADT760A and check if the CPS icon appears on the display to confirm a successful connection.

Maintenance of the CPS

- ① As shown in Figure 10-4, use a flat-head screwdriver to unscrew the filter by rotating it counterclockwise.
- ② Remove the filter, clean the stainless steel filter screen or replace it.
- ③ Replace the O-ring seal.
- ④ Re-tighten the filter onto the CPS by rotating it clockwise.
- ⑤ Maintenance interval: every 3–6 months, or as needed based on usage conditions.

Please ensure that the internal pressure of the calibrator is fully released and the unit is powered off before proceeding.

